

**Cat Basic  
Scooter  
Discontinued 1/00**



## Parts Catalog Usage Guide

The information contained in this document is subject to change without notice. This catalog contains service parts for Form No. 95-09. If you have any questions regarding this catalog, please contact one of our Customer Service Representatives.

**For Customer Service Support Call:**

**1-800-333-6900**

**For Faxed In Orders Call:**

**1-800-678-4682 or**

**1-440-366-0709**

**For Technical Service Call:**

**1-800-832-4707**

**Literature Can Be Found at:**

**[www.invacare.com](http://www.invacare.com) or**

**1-800-828-6272**

### SYMBOL DEFINITION

Throughout this catalog you will notice letters to draw your attention to specific footnotes which are located at the bottom of the page or below specified charts.

Examples:

A,B,C etc. = Special Comments

NOTE: = General information pertaining to that specific page

NLA = No Longer Available

### HARDWARE MEASUREMENTS

The measurements for the hardware will be listed as follows:

Screws, Bolts Diameter X Thread Count/Pitch X Length

Washers Inside Diameter X Outside Diameter X Thickness

Spacers Inside Diameter X Outside Diameter X Length

For your convenience, we have supplied an area for you to list your Invacare Representatives.

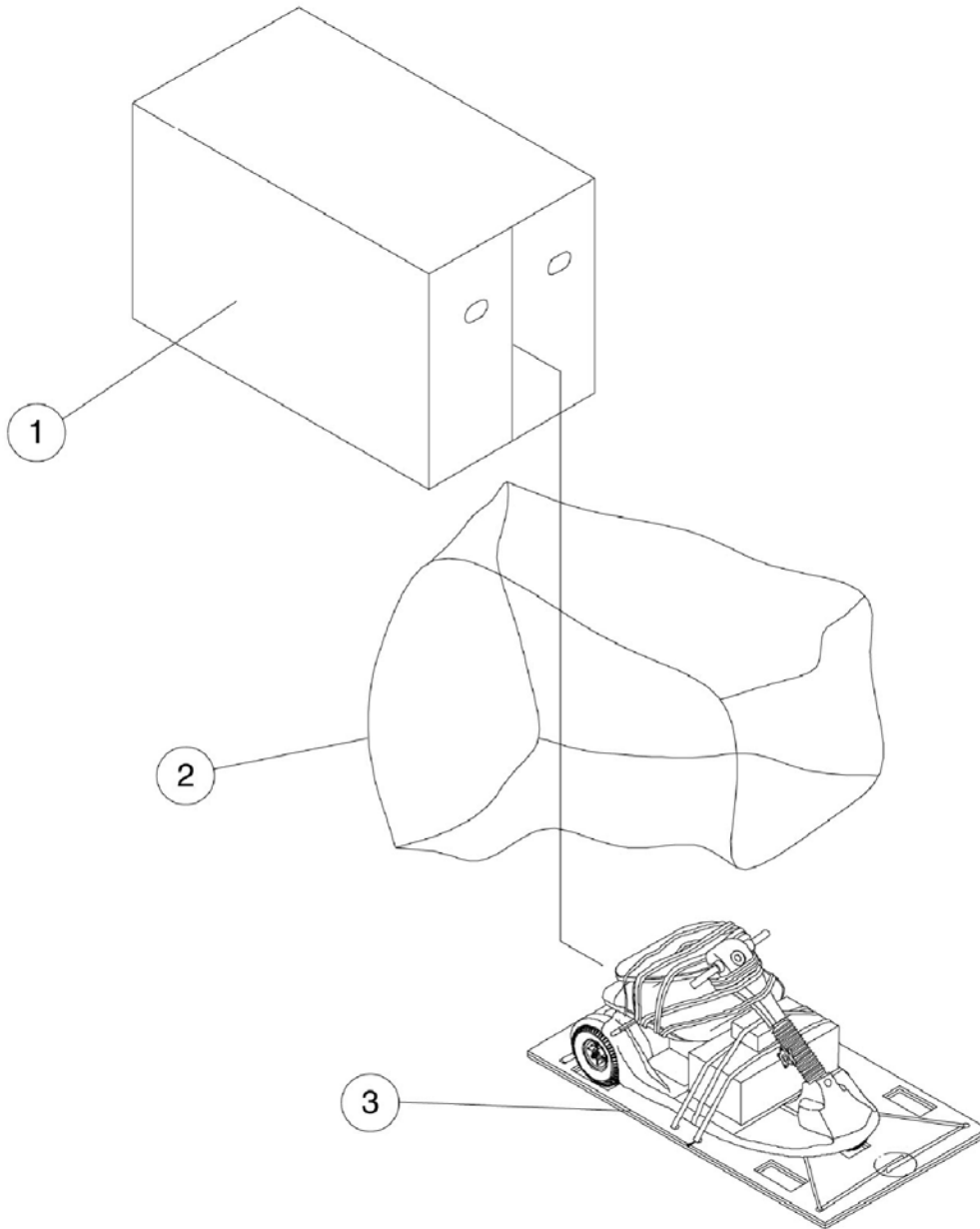
Name	Phone Numbers

©2007 Invacare Corporation. Elyria, Ohio. Invacare, Yes, you can. and the Medallion Design are registered trademarks of Invacare Corporation.

# TABLE of CONTENTS

<b>Description</b>	<b>Page Number</b>
Accessories .....	24
Accessories - Oxygen Holder Assembly Kit .....	26
Arm Assemblies .....	22
Battery Boxes, Harnesses and Chargers .....	11
Fork Assembly .....	13
Motor and Trans-Axle .....	16
Packaging and Literature .....	3
Seat Assembly .....	18
Seat Plate Assembly .....	20
Shrouds, Frames and Anti-Tippers .....	5
Tiller Adjustment Assembly .....	10
Tiller Assembly and Controller .....	8
Wheels .....	14

# Packaging and Literature



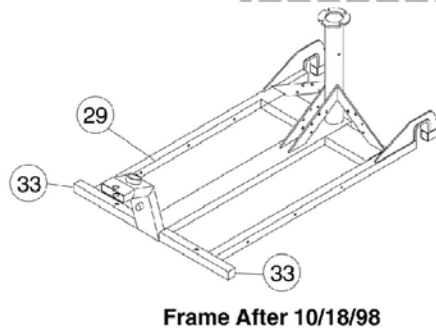
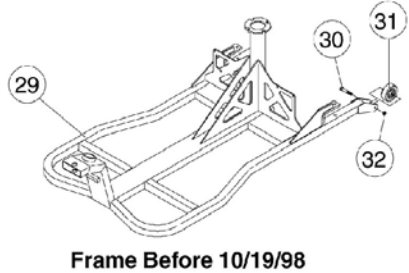
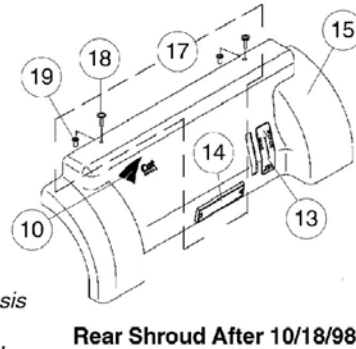
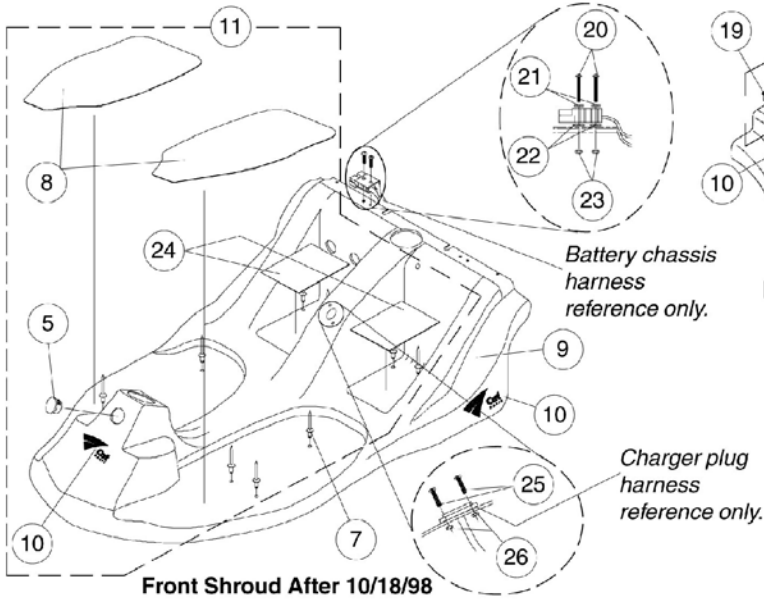
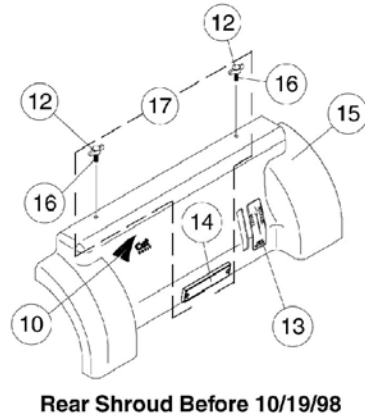
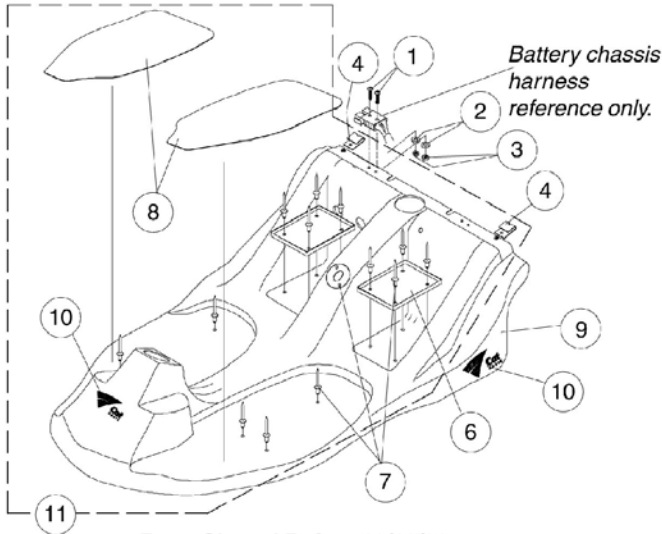
## Packaging and Literature

Item Number	Note	Part Number	Description	Quantity Per	
				Package	Assembly
1		1076976-NLA	Carton, Shipper	1	1
2		1015609-NLA	Bag, Poly (28" W x 44" D x 80" H)	1	1
3		1076977-NLA	Insert, Carton	1	1
	A	1073445	Owner's Manual	1	1
	A	00077X031	Warranty Card	1	1

NOTE: A - Not Shown.

When adjusting or replacing parts, please refer to the Owner's Manual for assistance.

# Shrouds, Frames and Anti-Tippers



## Shrouds, Frames and Anti-Tippers

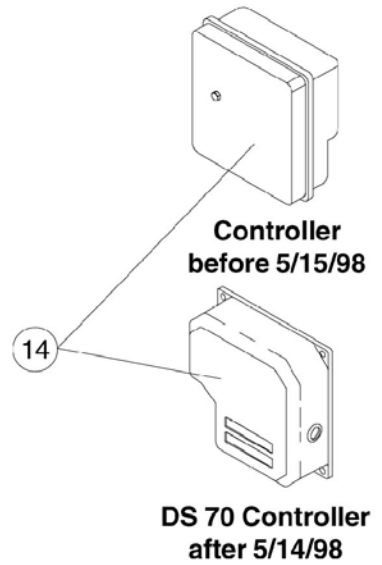
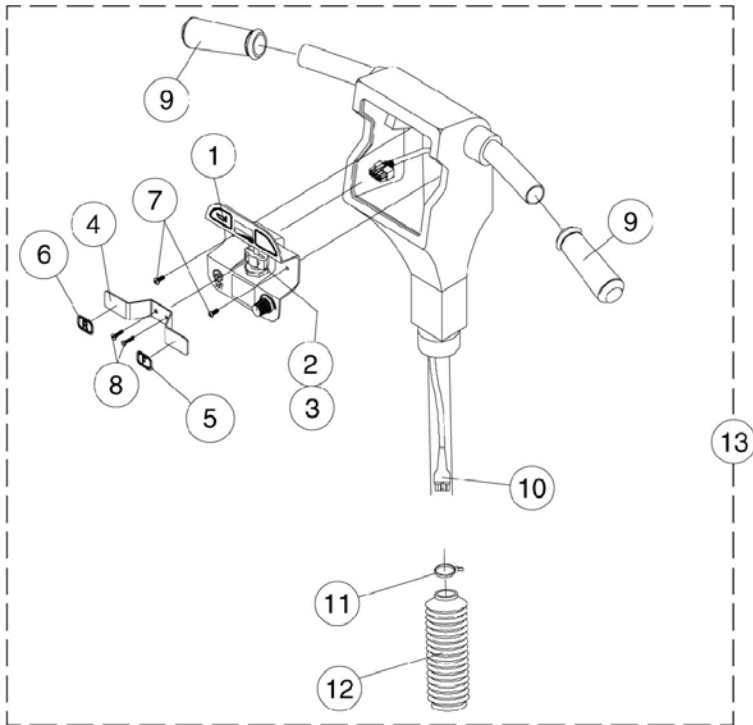
Item Number	Note	Part Number	Description	Quantity Per	
				Package	Assembly
1		1057530-NLA	Screw, Phillips Head (#6-32 x 1")	1	4
2		0204705-NLA	Washer, Flat (#6)	1	4
3		0143205	Locknut, Low Profile (#6-32)	1	4
4		0226400-NLA	Clip, Rear Shroud Fastener	1	2
5		1056270-NLA	Plug Button (1-1/4")	1	1
6		1055726-NLA	Tray, Battery	1	2
7	H	0230800-NLA	Rivet (1/8 X 1/2" Long)	1	16
7	I	16348X000	Rivet (3/16 x 7/16")	1	10
8	H	1055721-NLA	Mat, Floor - Right	1	1
8	H	1055720-NLA	Mat, Floor - Left	1	1
8	I	1080966	Mat, Floor - Right	1	1
8	I	1080967	Mat, Floor - Left	1	1
9	B	1077138-NLA	Shroud, Front with Decals	1	1
10		1070128-NLA	Decal, Cat Basic	1	4
11	D,H	1081503-NLA	Kit, Front Shroud Hardware	1	1
11	E,I	1080895-NLA	Kit, Front Shroud Hardware	1	1
12		1056269-NLA	Knob, Tee	1	2
12		0226500	Knob, Tee	1	2
13		1055675-NLA	Decal, Brake Release	1	1
14		1056258	Decal, Reflector	1	1
15		1077137-NLA	Shroud, Rear with Decals	1	1
16		1077793	Screw, Socket Head Cap (1/4-20 x 3/4")	1	2
17	F,H	1081504-NLA	Kit, Rear Shroud Hardware	1	1
17	G,I	1080894-NLA	Kit, Rear Shroud Hardware	1	1
18		1070575	Screw, Phillips Head (#10-32 x 7/8")	1	2
19		40315X000	Rivet, Nut (#10-32)	1	2
20		1039773	Screw, Phillips Head Pan (#6-32 x 1-1/8")	1	4
21		1043599	Washer, Flat (5/32 x 3/8 x 1/32")	1	4
22		40157X003	Washer, Plain (5/16 x 5/8 x 1/8")	1	4
23		P0870X050	Nut, Keps (#6-32)	1	4
24		1060994-NLA	Pad, Battery Tray	1	2
25		1021742	Screw, Phillips Head Pan (#4-40 x 1/2")	1	2
26		P0870X000	Nut, Hex Keps (#4-40)	1	2
27	C,J	1086234-NLA	Anti-Tipper Assembly	1	2
28		1055665-NLA	Spring Lock	1	2
29	H	1072717-NLA	Frame	1	1
29	A,I	1080882-NLA	Frame	1	1
30		16720X004	Screw, Hex Head Cap (1/4-20 x 1-1/2")	1	2
31		1055684-NLA	Wheel, Anti-Tip 2"	1	2
32		1025195	Locknut (1/4-20)	1	2
33		1055662	Plug Button, Square (1-1/8 x 1-1/8")	1	2

## Shrouds, Frames and Anti-Tippers

NOTE: A - Order item 33 when a new frame is required.  
B - When a new shroud is ordered, shroud hardware needs to be ordered as well.  
C - For scooters manufactured before 5/28/99, order in pairs to match.  
D - Includes items 4, 7 and 8  
E - Includes items 5, 7, 8 and 24  
F - Includes items 13, 14  
G - Includes items 14, 18, 19  
H - Before 10/19/98  
I - After 10/18/98  
J - After 5/27/99



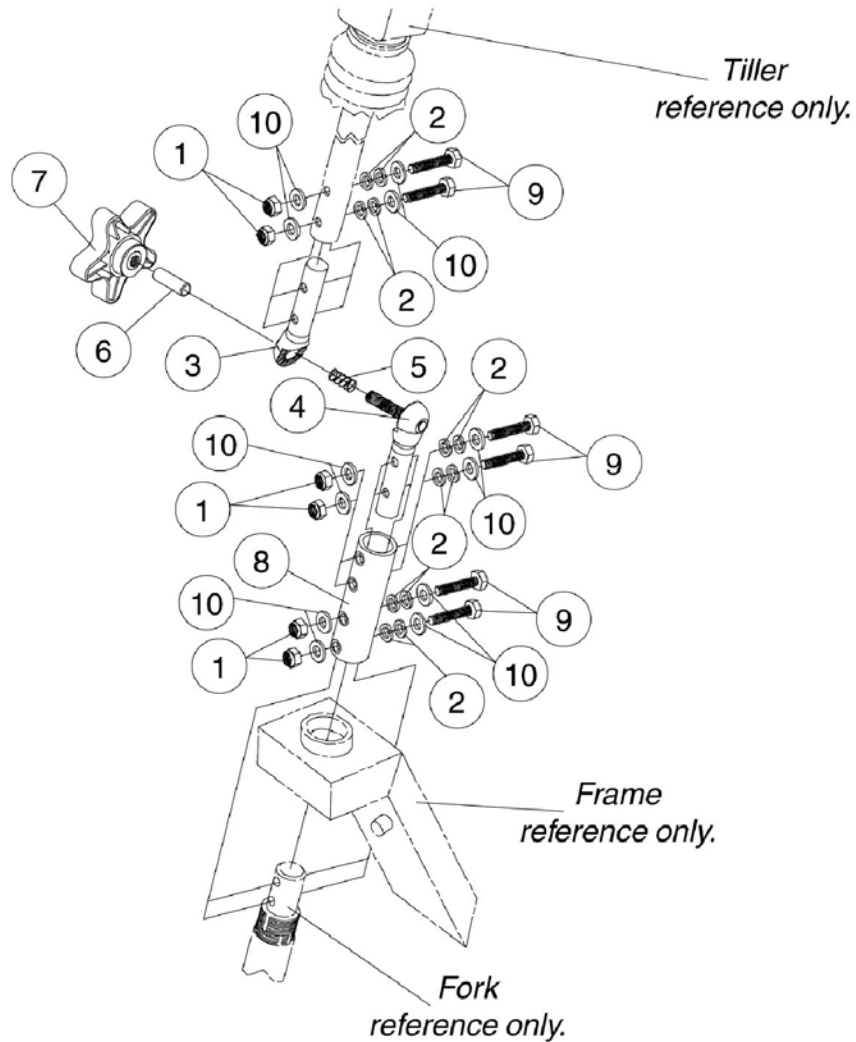
# Tiller Assembly and Controller



## Tiller Assembly and Controller

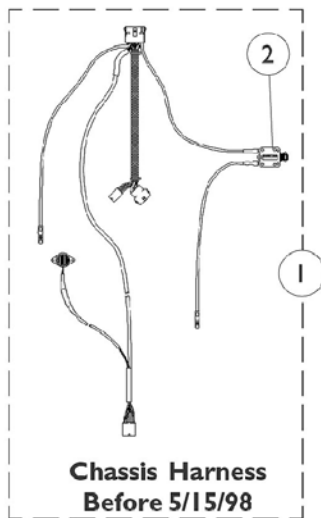
Item Number	Note	Part Number	Description	Quantity Per	
				Package	Assembly
1	D	1055728-NLA	Face Plate Assembly without Throttle Lever - Right	1	1
1	E	1081272-NLA	Face Plate Assembly without Throttle Lever (D.S. 70) - Right	1	1
1	E	1081414	Face Plate Assembly without Throttle Lever (D.S. 70) - Left	1	1
2		0307200-NLA	Clamp, Throttle - Lower	1	1
2	D	0307322-NLA	Clamp, Throttle - Upper	1	1
2	E	1055672-NLA	Clamp, Throttle - Upper (D.S. 70)	1	1
3		1016301	Washer, Nylon (5/16 x 7/8 x 1/8")	1	1
4		1056260-NLA	Lever, Throttle - Standard	1	1
5		1055680	Decal, Forward	1	1
6		1055667	Decal, Reverse	1	1
7		1014386	Screw, Socket Head (#8-32 x 5/8")	1	2
8		1055740-NLA	Screw, Socket Head (#8-32 x 1/2")	1	2
9		1055661-NLA	Handgrip	1	2
10		1072707-NLA	Harness Assembly - Tiller	1	1
11		98007X005	Cable Tie (11-1/2" Long)	1	2
12		1055679-NLA	Boot	1	1
13	C,D	1081536-NLA	Tiller Assembly - Right	1	1
13	C,E	1081406-NLA	Tiller Assembly (D.S. 70) - Right	1	1
13	C,E	1081385-NLA	Tiller Assembly (D.S. 70) - Left	1	1
14	D	1055727-NLA	Controller Assembly	1	1
14	E,F	1071456-NLA	Controller Assembly (D.S. 70)	1	1
14	G	1085941-NLA	Controller Assembly (D.S. 70)	1	1
	B	0194500-NLA	Keys	2	1
	A,B	1056928	Decal, Grey	1	1
NOTE: A - Decal no longer used after 9/14/98 B - Not Shown. C - Includes items 1-12 D - Before 5/15/98 E - After 5/14/98 F - 5/15/98 thru 1/27/99 G - After 1/27/99					

# Tiller Adjustment Assembly

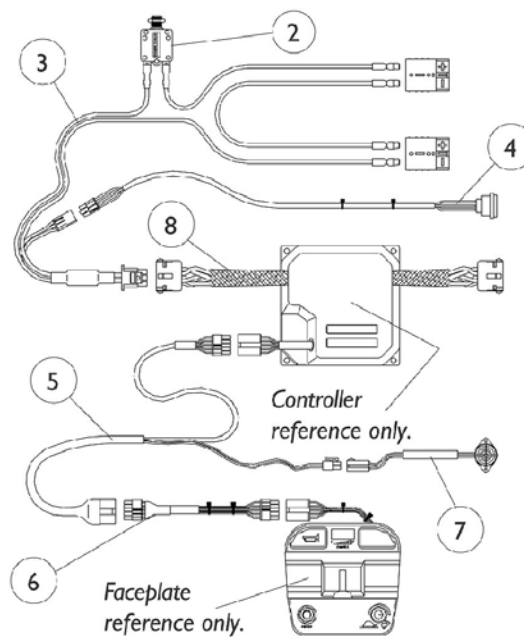


Item Number	Note	Part Number	Description	Quantity Per	
				Package	Assembly
1		1025736	Locknut (1/4-20)	1	6
2		1013970	Lockwasher, High Collar (1/4")	1	12
3		1023901-NLA	Swivel Adjustment, Top	1	1
4		1083056-NLA	Swivel Adjustment with Stud, Bottom	1	1
5		1022421	Spring, Coil	1	1
6		1029950-NLA	Spacer (25/64 x 5/8 x 1-1/4")	1	1
7		1029991	Knob, Adjustment	1	1
8		1072166-NLA	Sleeve, Fork Coupling	1	1
9		16720X004	Screw, Hex Head Cap (1/4-20 x 1-1/2")	1	6
10		20105X000	Washer, Flat (1/4 x 5/8 x 1/16")	1	12

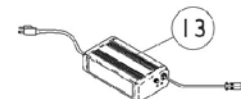
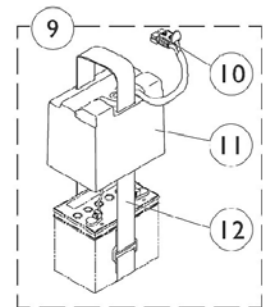
# Battery Boxes, Harnesses and Chargers



**Chassis Harness  
Before 5/15/98**



**DS70 Harnesses After 5/14/98**

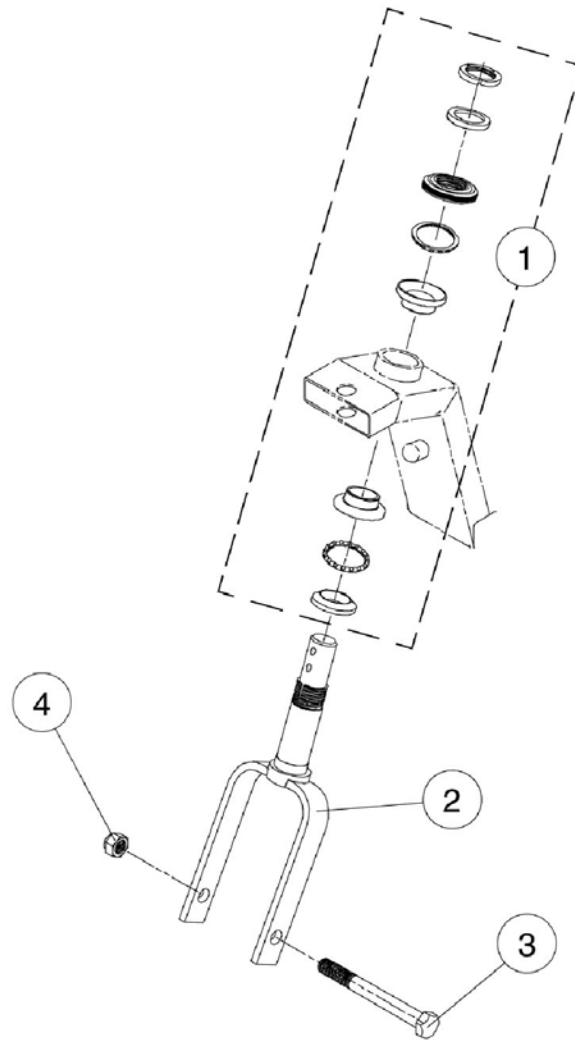


**Soneil  
Charger  
w/ Round Plug**

## Battery Boxes, Harnesses and Chargers

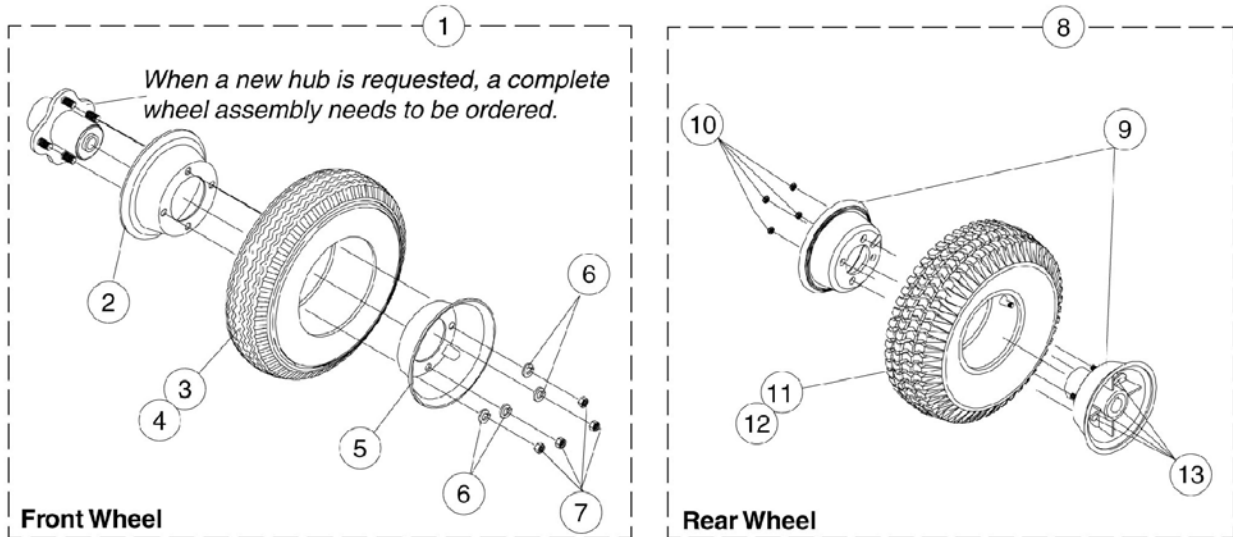
Item Number	Note	Part Number	Description	Quantity Per	
				Package	Assembly
1	B	1055699-NLA	Harness Assembly, Traditional and Aviation (Square Plug)	1	1
2		1058062-NLA	Circuit Breaker, 30 AMP	1	1
3	C	1072706-NLA	Harness Assembly, DS70 - Chassis/ Battery	1	1
4		1072705	Harness Assembly, DS70 - Charger Plug	1	1
5		1064512-NLA	Harness, Tiller Chassis	1	1
6		1072707-NLA	Harness Assembly - Tiller	1	1
7		1060571-NLA	Horn without Adhesive Pad	1	1
	F	1060999-NLA	Pad, Adhesive Horn	1	1
8	D	1064511-NLA	Motor and Brake Assembly	1	1
8	A,E	1085938	Motor and Brake Assembly	1	1
9		1058797-NLA	Battery Box Assembly	1	2
10		1055700-NLA	Harness, Battery Box	1	1
11		1055714-NLA	Battery Box - Top	1	1
12		1055686-NLA	Strap, Battery	1	1
13		1081211	Battery Charger, Sonell (Rd Plug) 3 Amp - Domestic	1	1
13		1072727	Battery Charger, Sonell (Rd Plug) 3 Amp - U.K.	1	1
13		1077318	Battery Charger, Sonell (Rd Plug) 3 Amp - Europe	1	1
<p>NOTE: A - Motor/brake harness after 1/27/99 will have two separate connectors attached for the transaxle motor.            B - Before 5/15/98            C - After 5/14/98            D - 5/15/98 thru 1/27/99            E - After 1/27/99            F - Not Shown</p>					

# Fork Assembly



Item Number	Note	Part Number	Description	Quantity Per	
				Package	Assembly
1		1080888-NLA	Bearing Headset Assembly	1	1
2		1072164-NLA	Fork Assembly	1	1
3		1055754-NLA	Screw, Hex Head (1/2-13 x 4-1/2")	1	1
4		1024296-NLA	Locknut (1/2-13)	1	1

# Wheels

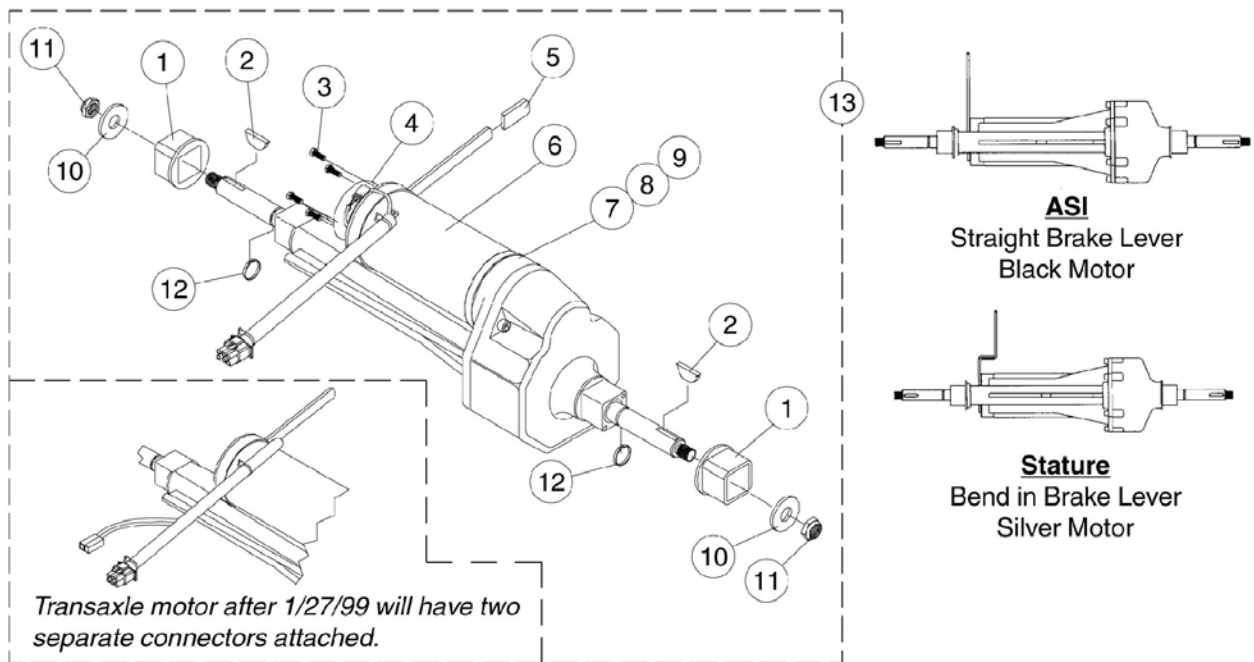


## Wheels

Item Number	Note	Part Number	Description	Quantity Per	
				Package	Assembly
1		1055697-NLA	Wheel Assembly, Pneumatic - Front (9")	1	1
1		1059385-NLA	Wheel Assembly, Foam Filled - Front (9")	1	1
2		1058031-NLA	Rim, Inner 9"	1	1
3		1027418	Tire, Pneumatic (9 x 2-3/4")	1	1
3		1028896	Tire, Foam Filled (9 x 2-3/4")	1	1
4		1027417	Tube, Pneumatic Inner (9" x 2-3/4")	1	1
5		1058032-NLA	Rim, Outer 9"	1	1
6		1024442	Washer, Lock (5/16 x 9/16 x 1/16")	1	4
7		1024426	Nut, Hex (5/16-24)	1	4
8		1055698-NLA	Rear Wheel Assembly, Pneumatic (10")	1	1
8		1022563-NLA	Rear Wheel Assembly, Foam Filled (10")	1	1
9		0263200-NLA	Hub, Rear 10" (1 Pair)	2	1
10		0054105-NLA	Locknut (3/8-16)	1	4
11		0309300-NLA	Tire, Rear - Pneumatic (10")	1	1
11		1022562-NLA	Tire, Rear - Foam Filled (10")	1	1
12		0309400-NLA	Tube, Rear (10")	1	1
13		0068905-NLA	Screw, Hex Head (3/8-16 x 1")	1	4



# Motor and Trans-Axle

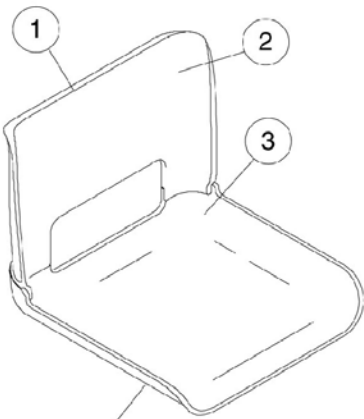


## Motor and Trans-Axle

Item Number	Note	Part Number	Description	Quantity Per	
				Package	Assembly
1		1058529-NLA	Vibration Mount	1	2
2		1058043-NLA	Key, Wheel	1	2
3		1055767-NLA	Screw, Hex Head Cap (#8-32 x 3/8")	1	4
4	C	1055717-NLA	Brake, ASI	1	1
4	D	1062475	Brake, Stature	1	1
5		1055690-NLA	Lever Cap, Brake	1	1
6	C	1058522-NLA	Motor and Brake Assembly, ASI	1	1
6	E	1070596-NLA	Motor and Brake Assembly, Stature	1	1
6	F	1086251-NLA	Motor and Brake Assembly, Stature	1	1
7	C	1058527-NLA	Coupling, ASI	1	1
7	D	1062477-NLA	Coupling, Stature	1	1
8		1058528-NLA	Key, Motor Gearbox	1	1
9	C	1058524-NLA	Brush Kit, ASI	2	1
9	D	1062476-NLA	Brush Kit, Stature	2	1
10		1003766	Washer, Plain (1/2 x 1 x 1/8")	1	2
11		1001979	Locknut (1/2-20)	1	2
12	B	1058042-NLA	Grip Ring	1	2
13	A,C	1058041-NLA	Trans-Axle Assembly, ASI with Brake	1	1
13	E	1062535-NLA	Trans-Axle Assembly, Stature with Brake	1	1
13	F	1085944-NLA	Trans-Axle Assembly, Stature with Brake	1	1

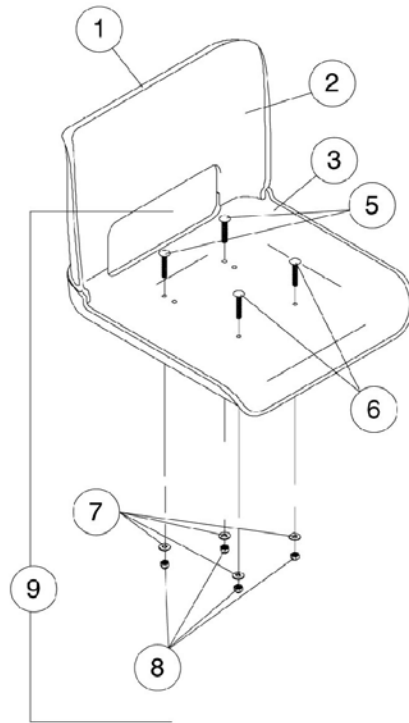
NOTE: A - Trans-Axle 1058041 is NLA, order Trans-Axle 1062535 as a direct replacement.  
 B - Includes items 1-12  
 C - Before 7/27/98  
 D - After 7/26/98  
 E - 7/27/98 thru 1/27/99  
 F - After 1/27/99

# Seat Assembly

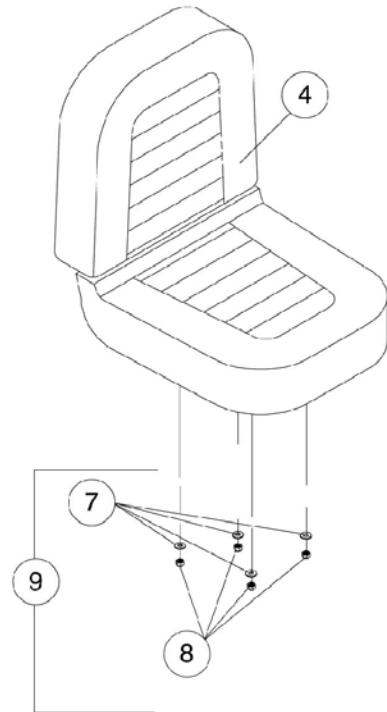


NOTE: Seat hardware can be found on the Seat Plate Assembly page.

**Standard  
Before 10/19/98**



**Standard  
After 10/18/98**



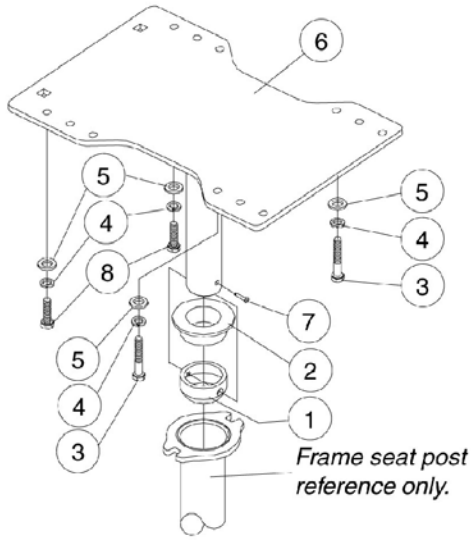
**Deluxe**

## Seat Assembly

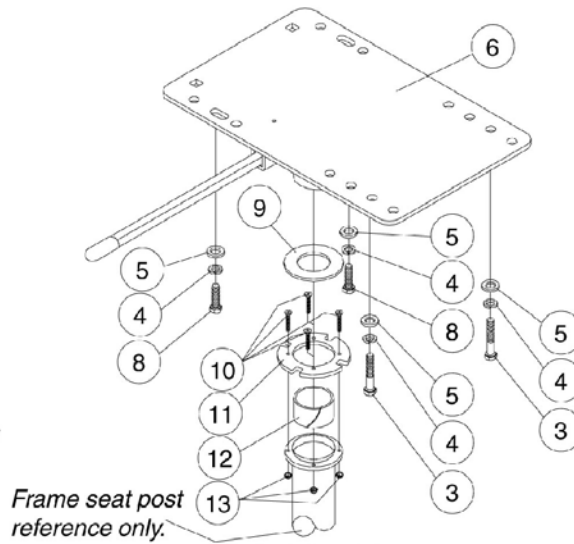
Item Number	Note	Part Number	Description	Quantity Per	
				Package	Assembly
1	A	1081535-NLA	Seat with Back and Seat Pads (without Attaching Hardware)	1	1
1	B	1069735-NLA	Seat with Back and Seat Pads (without Attaching Hardware)	1	1
2		1069732-NLA	Pad, Back - Standard	1	1
3		1069733-NLA	Pad, Seat - Standard	1	1
4		1069146-NLA	Seat, Deluxe Vinyl without Attaching Hardware	1	1
4		1069147	Seat, Deluxe Cloth without Attaching Hardware	1	1
5		1070148-NLA	Bolt, Carriage (5/16-18 x 1-1/2")	1	2
6		1071206-NLA	Bolt, Carriage (5/16-18 x 2")	1	2
7		1025704	Washer, Flat (5/16 x 5/8 x 1/16")	1	4
8		1026158	Locknut (5/16-18)	1	4
9	B,C	1073373-NLA	Kit, Seat Attaching Hardware - Standard	1	1
9	D	1073374	Kit, Seat Attaching Hardware - Deluxe Vinyl and Cloth	1	1

NOTE: A - Before 10/19/98  
 B - After 10/18/98  
 C - Includes items 5-8  
 D - Includes items 7 and 8

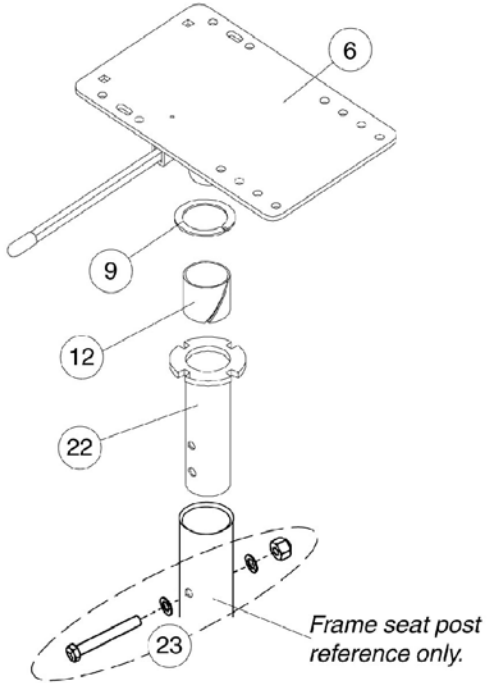
# Seat Plate Assembly



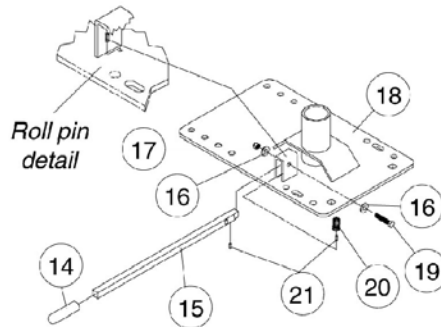
**Fixed Seat Plate  
and Attaching  
Hardware  
Before 1/9/98**



**Swivel Seat Plate  
and Attaching  
Hardware  
After 1/8/98**



**Swivel Seat Plate and  
Attaching Hardware  
After 10/18/98**



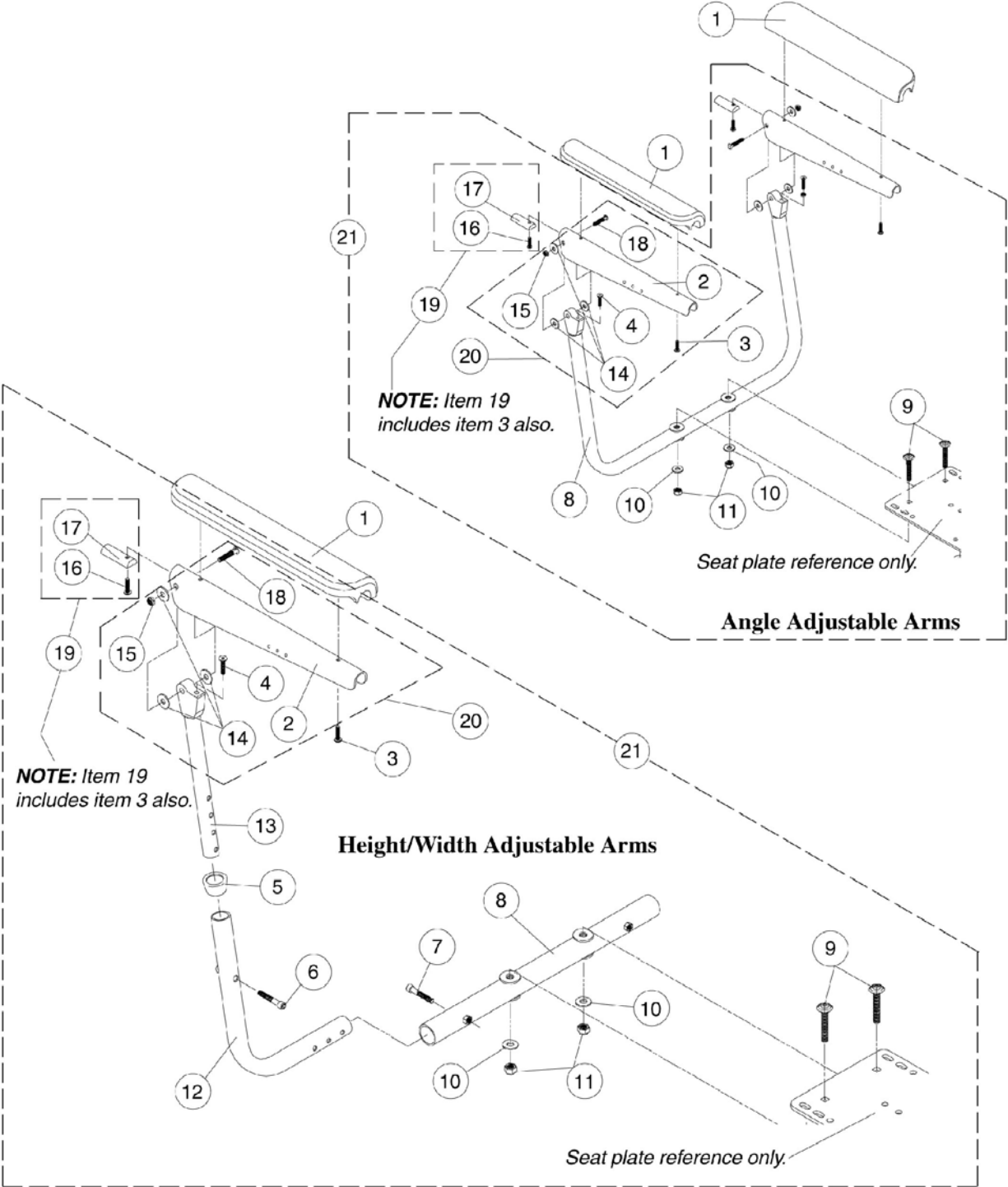
**Seat Plate Components for Item 6  
After 1/8/98**

## Seat Plate Assembly

Item Number	Note	Part Number	Description	Quantity Per	
				Package	Assembly
1		1072154	Collar - Lower	1	1
2		1072153-NLA	Collar - Upper	1	1
3		16720X004	Screw, Hex Head Cap (1/4-20 x 1-1/2")	1	2
4		0050506	Lockwasher, High Collar, Split (1/4")	1	4
5		1009000-NLA	Washer (3/4 x 1/4 x 1/16")	1	4
6	A	1072155-NLA	Kit, Seat Plate Assembly without Hardware	1	1
6	B	1071285-NLA	Kit, Seat Plate Assembly - Right Release	1	1
6	C	1071997-NLA	Kit, Seat Plate Assembly - Left Release	1	1
7		0230800-NLA	Rivet (1/8 X 1/2" Long)	1	1
8		0051705-NLA	Screw, Hex Head Cap (1/4-20 x 1")	1	2
9		1055677-NLA	Washer, Seat Base (1-1/2 x 2 x 3/32")	1	1
10		1077181	Screw, Socket Head (#6-32 x 3/4")	1	4
11		1072959-NLA	Plate, Sprocket	1	1
12		1055687-NLA	Bearing, Nyliner	1	1
13		1055768-NLA	Locknut (#6-32)	1	4
13		0143205	Locknut, Low Profile (#6-32)	1	4
14		1055693-NLA	Cap, Handle	1	1
15		1073714-NLA	Handle, Swivel Bar	1	1
16		1026907	Washer (1/4 x 1/2 x 1/16")	1	2
17		1025195	Locknut (1/4-20)	1	1
18		1070179-NLA	Seat Plate	1	1
19		1039883	Screw, Hex Head Cap with Patch (1/4-20 x 1")	1	1
20		1075062-NLA	Spring, Compression	1	1
21		1038785	Pin, Roll (1/8 x 3/8")	1	2
22		1058766-NLA	Post, Seat	1	1
23		1081172	Kit, Seat Post Attaching Hardware	1	1

NOTE: A - Before 1/9/98 without handle  
 B - After 1/8/98  
 C - After 10/18/98

# Arm Assemblies



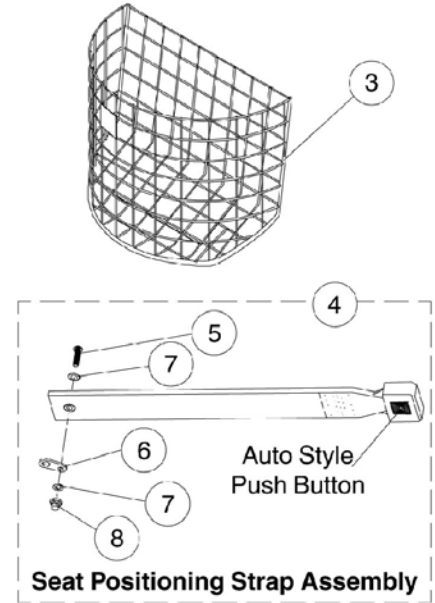
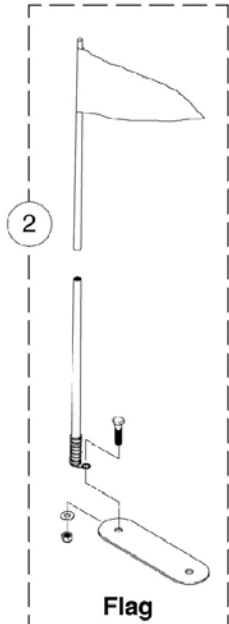
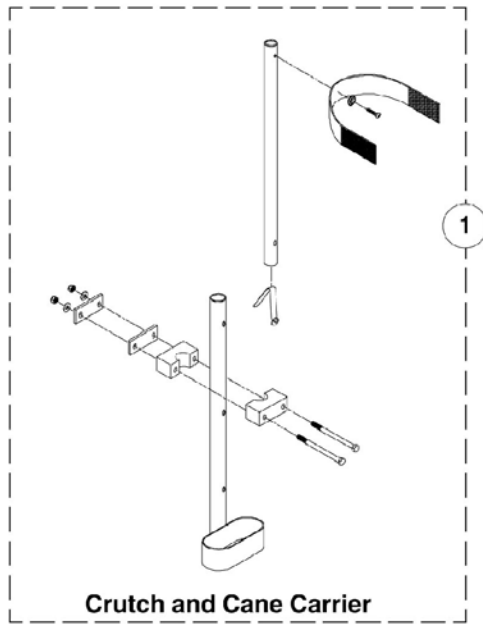
## Arm Assemblies

Item Number	Note	Part Number	Description	Quantity Per	
				Package	Assembly
1	A	1117328	Arm Pad, Full Length, Urethane Waterfall with Screws, Black (13" L x 2-5/8" W)	1	2
2		1071359	Plate, Armrest (Black)	1	2
3		1028755	Screw, Phillips Pan Head (#10-32 x 5/8")	1	2
4		1073453-NLA	Screw, Socket Flat Head w/Patch (1/4-20 x 3/4")	1	2
5		15680X013	Anti-Rattle (1")	1	2
6		1003545	Screw, Socket Head (1/4-20 x 1-1/4")	1	2
7		1021343	Screw, Socket Head Cap (5/16-18 x 1-1/4")	1	2
8		1070929-NLA	Arm Tube, Height / Width Adjustable	1	1
8		1070927	Arm Tube, Angle Adjustable	1	1
9		1070925	Bolt, Round Head Square Neck (5/16-18 x 2-1/2")	1	2
9	D	1071206-NLA	Bolt, Carriage (5/16-18 x 2")	1	2
10		1025704	Washer, Flat (5/16 x 5/8 x 1/16")	1	2
11		1026158	Locknut (5/16-18)	1	2
12		1071357-NLA	Arm Tube, Lower - Right	1	2
12		1071358-NLA	Arm Tube, Lower - Left	1	2
13		1070928	Arm Tube, Upper Height and Width Adjustable (Black)	1	2
14		1025704	Washer, Flat (5/16 x 5/8 x 1/16")	1	6
15		1026906	Locknut (5/16-24)	1	2
16		1102546	Screw, Phillips Pan Head (#10-32 x 7/8")	1	2
17		1070106	Insert, Armrest	1	2
18		1031026	Screw with Lug (5/16-24 x 1-3/8")	1	2
19	B	1073378	Kit, Arm Pad Attaching Hardware	1	1
20	C	1073377	Kit, Armrest Plate Attaching Hardware	2	1
21		1075186-NLA	Kit, Arm Assembly with Hardware (Less Arm Pads) Height \ Width Adjustable	2	1
21		1075187-NLA	Kit, Arm Assembly with Hardware (Less Arm Pads) Angle Adjustable	2	1

NOTE: A - As of 1/3/02 upholstered waterfall armpads were replaced with black urethane waterfall armpads. Order in pairs for scooters serviced before 1/3/02.  
 B - Includes items 3, 16, 17  
 C - Includes items 2, 4, 14, 15, 18  
 D - For use on Angle Adjustable Arm Tube.



# Accessories



## Accessories

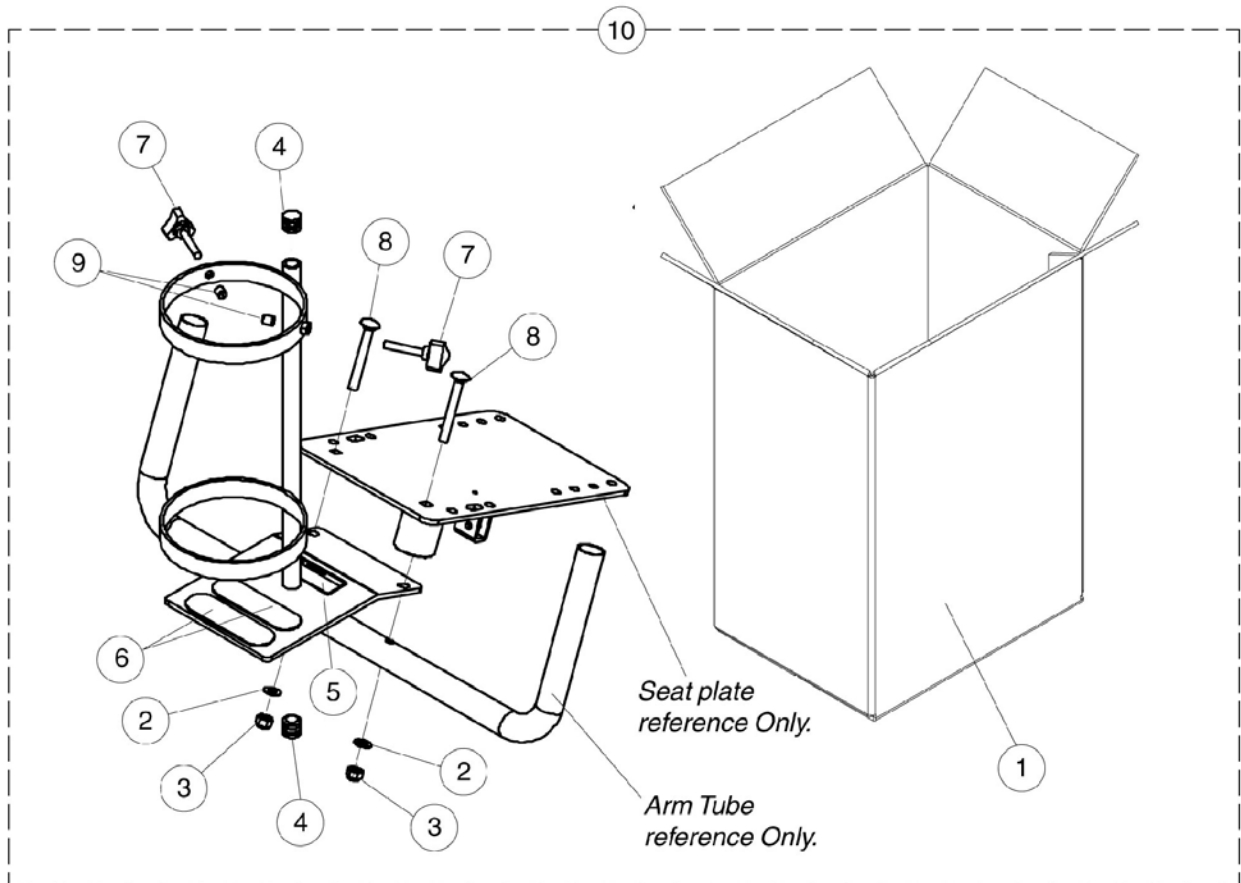
Item Number	Note	Part Number	Description	Quantity Per	
				Package	Assembly
1	A	1077349-NLA	Crutch and Cane Holder Assembly	1	1
2		1077348-NLA	Safety Flag Assembly	1	1
3	B	1056272-NLA	Basket	1	1
4		1071983-NLA	Seat Positioning Strap Assemblies with Hardware, Height \ Width Adjustable Arm	2	1
4	C	1071984-NLA	Seat Positioning Strap Assemblies with Hardware, Angle Adjustable Arm	2	1
5		1009838	Screw, Socket Head (1/4-20 x 3/4")	1	2
6		1055678-NLA	Link	1	2
7		1026900	Washer (1/4 x 23/32 x 1/16")	1	4
8		1044214	Nut, Hex with Nylon Cap (1/4-20)	1	2
	E	0194500-NLA	Keys	2	1
	D,E	U1Gel-2	Batteries, 12 Volt Gel, 31 Amp. Hour	1	1

NOTE: A - Requires basket for installation.  
 B - Basket is not available on Cat Basic scooters manufactured before 10/19/98.  
 C - Longer carriage bolts (1070925) are supplied with angle-adjustable arm seat belt assemblies.  
 D - Batteries are an equipment item, shown as reference only.  
 E - Not shown

Individual parts are not available for the crutch/cane carrier and flag assemblies.

# Accessories

## Oxygen Holder Assembly Kit



## Accessories

### Oxygen Holder Assembly Kit

Item Number	Note	Part Number	Description	Quantity Per	
				Package	Assembly
1		1083052	Carton, Shipper	1	1
2		1025704	Washer, Flat (5/16 x 5/8 x 1/16")	1	2
3		1026158	Locknut (5/16-18)	1	2
4		1035614	Plug Button (5/8") Black	1	2
5		1080866	Decal, Oxygen Warning - English	1	1
5		1090093	Decal, Oxygen Warning - French Canadian	1	1
6		1072004	Pad, Non-Skid Adhesive Back	1	2
7		1027684	Knob, Clamping (Black)	1	2
8	D	1086151	Bolt, Carriage Round Head Square Neck (5/16-18 x 1")	1	2
8		1070925	Bolt, Round Head Square Neck (5/16-18 x 2-1/2")	1	2
9		1086780	Package, Protective Caps	10	1
10	A	1085758-NLA	Oxygen Holder Assembly with Instruction Sheet - U.S.	1	1
10	A,C	1090092	Oxygen Holder Assembly with Instruction Sheet - French Canadian	1	1
	B	1085757	Instruction Sheet, Oxygen Holder	1	1
	B	2000454	Bag, Poly (33" Wide x 39" Long)	1	1

NOTE: A - When an oxygen assembly kit is ordered, only 2 protective caps are included. Replacement caps can be ordered in packages of 10, see item 9.  
 B - Not Shown.  
 C - Includes items 1-9, Instruction Sheet and Poly Bag  
 D - Used on Seat Plates without Arms.

**Invacare Corporation**

[www.invacare.com](http://www.invacare.com)



Yes, you can.™

One Invacare Way  
Elyria, Oh USA  
44036-2125  
800-333-6900

Technical Support  
800-832-4707  
Florida Technical Support  
407-321-5630

Customer Service  
800-333-6900

©2007 Invacare Corporation. Elyria, Ohio.  
All rights reserved. Trademarks are  
identified by the symbols™ and®. All  
trademarks are owned by or licensed to  
Invacare Corporation unless otherwise  
noted. (Rev. 6/29/07)

Form No. 95-09